

new aptis+



Spacious
and smart

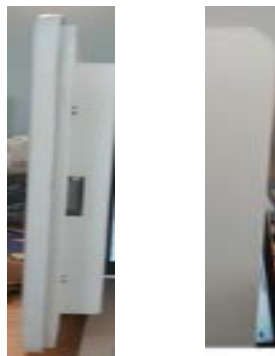
:hager

aptis+ Distribution Boards: Looks, features, technology- a perfect blend

Innovation is the key driver in our business, bringing clear differentiation in our products. Our solutions exceed the expectations of our customers given the product's ease-of-installation & ease-of-use.

**The new aptis+ enclosure is
primarily designed for
residential applications.**

aptis+, totally redesigned



A sophisticated design

The rounded door edge are just some of the signature features that make the new aptis+ enclosures so distinctive.



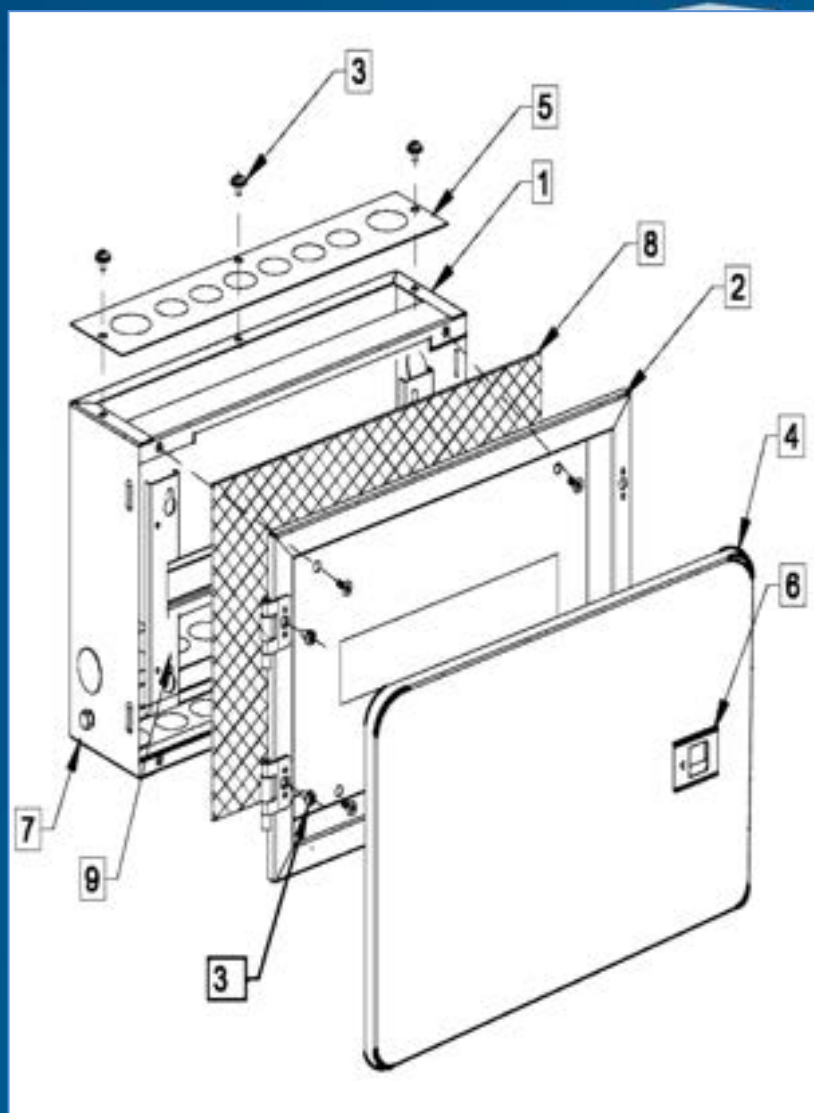
aptis+ your enclosure

We collaborated closely with end users to bring you this new version.

aptis+, a hub of innovation

Discover...

- 01** Quick, easy installation
- 02** Unrivalled accessibility
- 03** Easy wiring: tidier and safer
- 04** More features to make your day-to-day work easier
- 05** Reliable and safe: compliant standard IEC 61439-3
- 06** RAL9016, powder coated
Door opening angle -180°
Impact resistance – IK09



SPN distribution boards

- Metal DBs for single phase & neutral (SPN) supply distribution

Technical data

- Conforms to IS 61439
- No. of modules – 4, 6, 8, 12, 16, 18 way
- Mounting – Surface / flush mounting
- IP category
- IP30 for single door
- IP43/54 for double door
- Material – CRCA sheet steel
- RA L9016

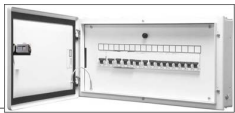
Incoming & outgoing devices

- Incoming : Two pole MCBs / RCBOs / RCCB / Isolator
- Outgoing : SP MCBs

Features & benefits:

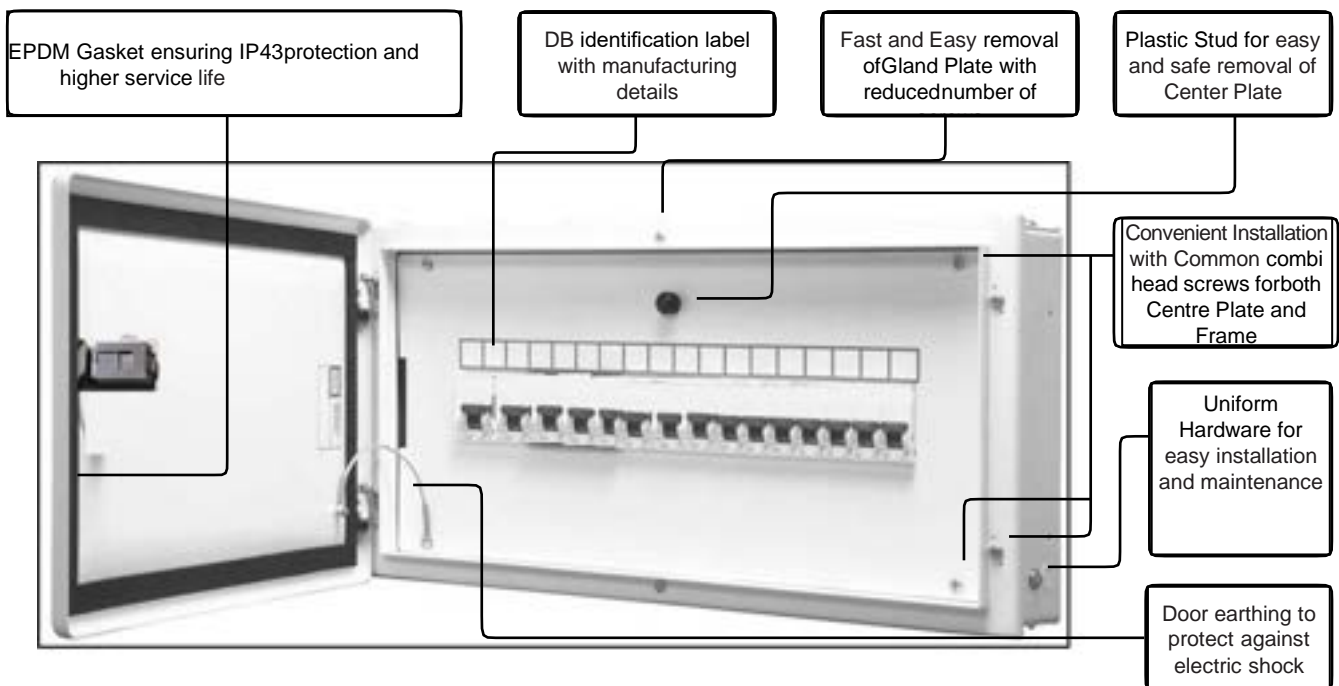
- Reversible door with earthing and removable front plate
- IP2X Neutral terminal
- Cement spill protection
- Combihead screws for easy removal
- Anti wall insertion marking
- 100A tin plated insulated copper bus-bar
- 180° door opening
- Choice of plain and acrylic door
- Separate packing for door, frame and shield
- Blanking plates and circuit identification labels
- Cable management system

10 x 25 + 34 x 4 mm²



Market Reference	Description	MRP (₹)
VYS04DN	SPN 4 way, IP43, DB	1931
VYS06DN	SPN 6 way, IP43, DB	2228
VYS08DN	SPN 8 way, IP43, DB	2406
VYS12DN	SPN 12 way, IP43, DD DB	2781
VYS16DN	SPN 16 way, IP43, DD DB	3597
VYS18DN	SPN 18 way, IP43, DD DB	3719

~
a
r
t
h
t



e
r
m
i
n
a
l
s
:

- Metal DBs for single phase & neutral (SPN) supply distribution

Technical data

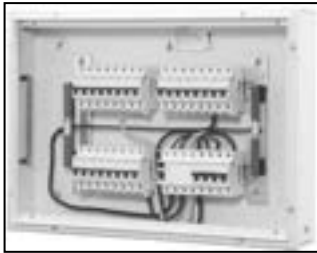
- Conforms to IS 61439
- No. of modules – 4, 6, 8, 12, 16, 18 way
- Mounting – Surface / flush mounting
- IP category
- IP30 for single door
- IP43/54 for double door
- Material – CRCA sheet steel
- RA L9016

Features & benefits:

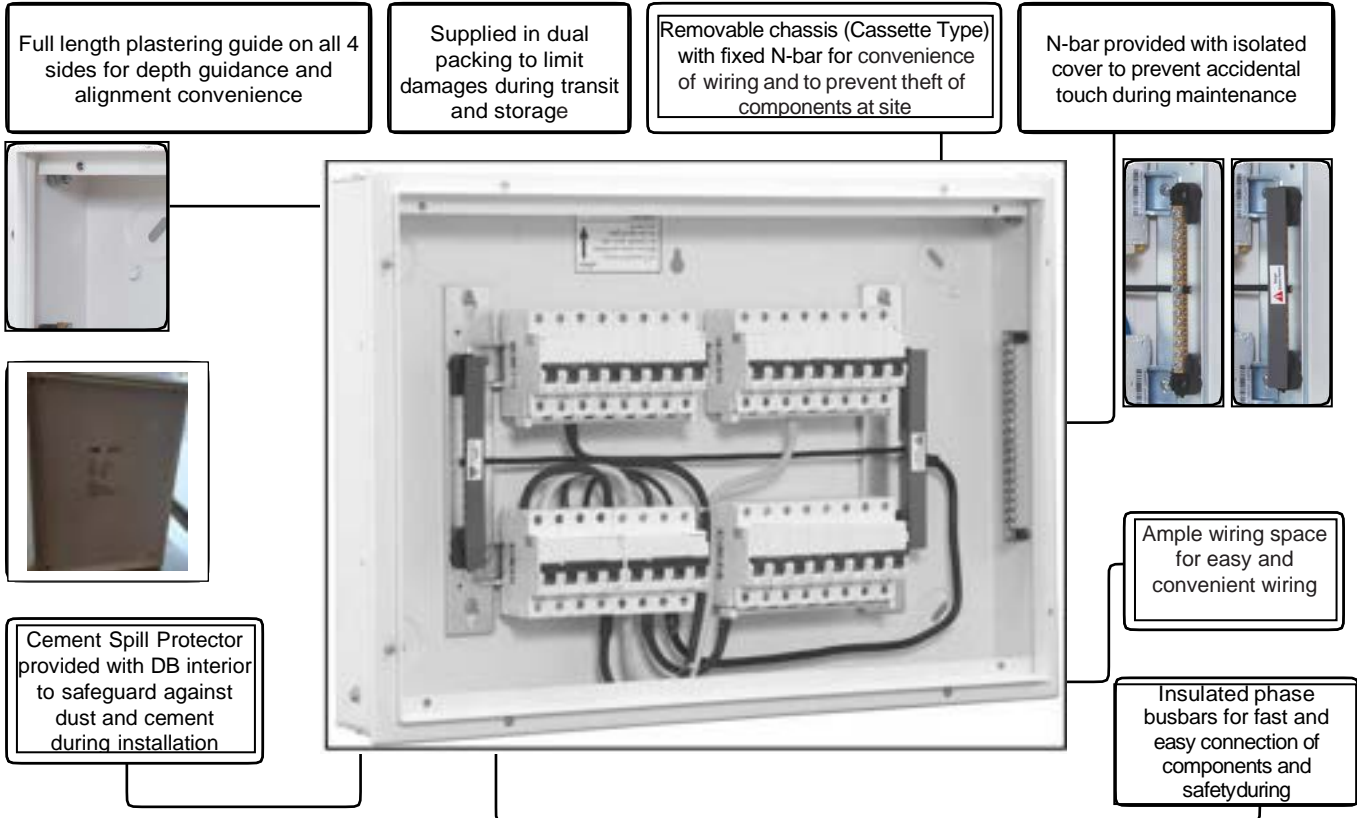
- Reversible door with earthing and removable front plate
- IP2X Neutral terminal
- Cement spill protection
- Combihead screws for easy removal
- Anti wall insertion marking
- 100A tin plated insulated copper bus-bar
- 180° door opening
- Choice of plain and acrylic door
- Separate packing for door, frame and shield
- Blanking plates and circuit identification labels
- Cable management system

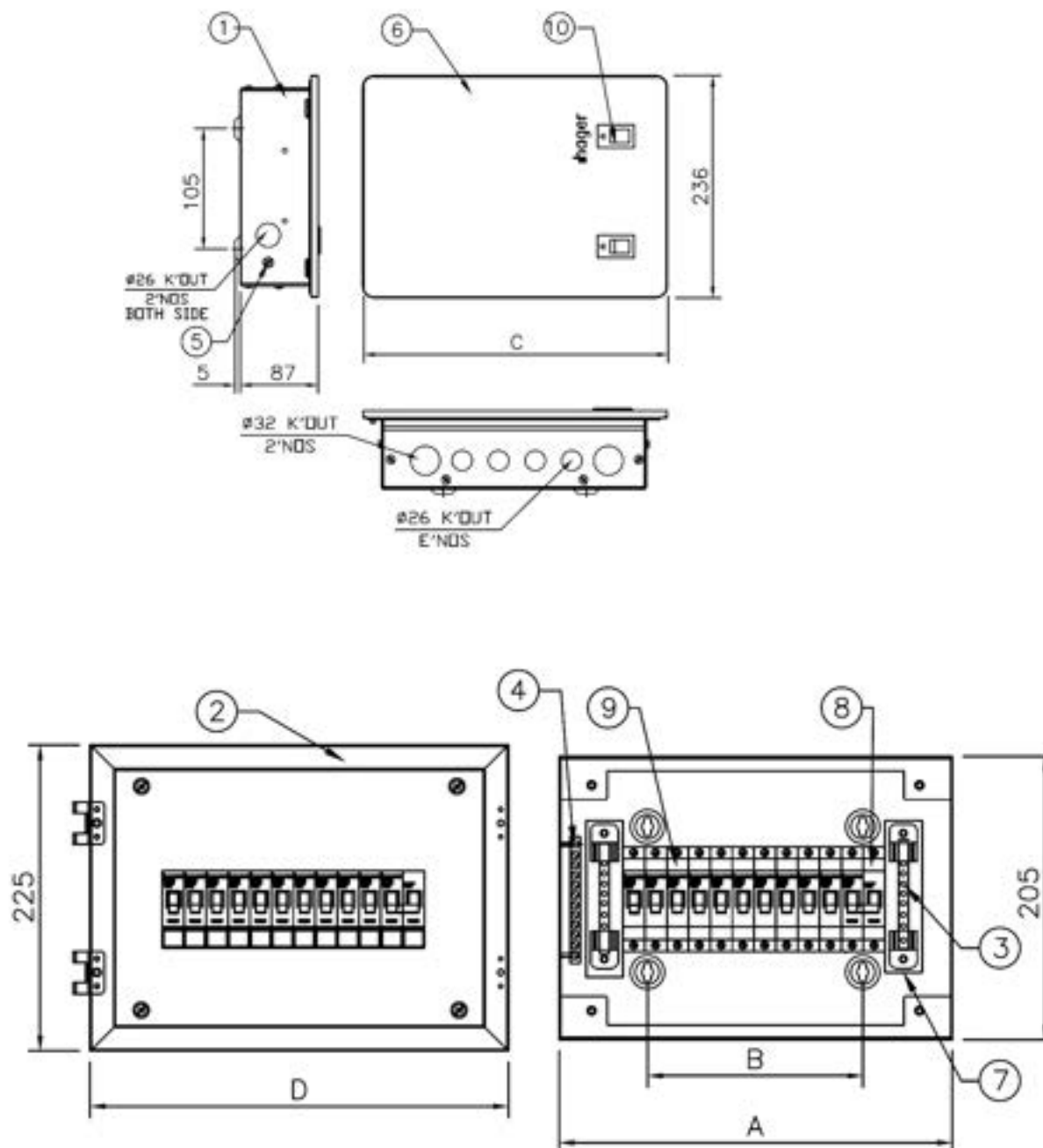
Incoming & outgoing devices

- Incoming : Two pole MCBs / RCBOs / RCCB / Isolator
- Outgoing : SP MCBs

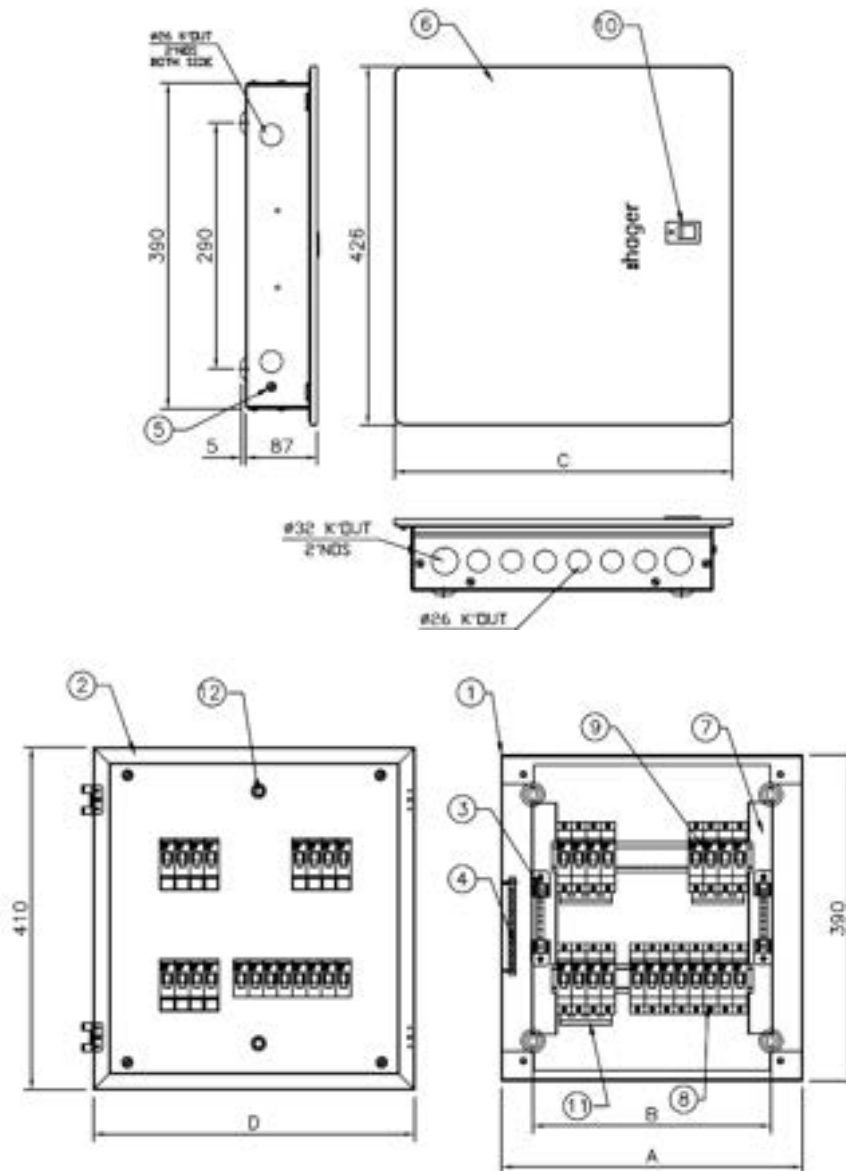


Market Reference	Description	MRP (₹)
VYT04DHN	TPN, mid, 4 way, IP43, DB	4738
VYT06DHN	TPN, mid, 6 way, IP43, DB	5903
VYT08DHN	TPN, mid, 8 way, IP43, DB	7084
VYT12DHN	TPN, mid, 12 way, IP43, DB	10900
VYT16DHN	TPN, mid, 16 way, IP43, DB	13669
VYT04DHN	TPN, mid, 4 way, IP43, DB	4738



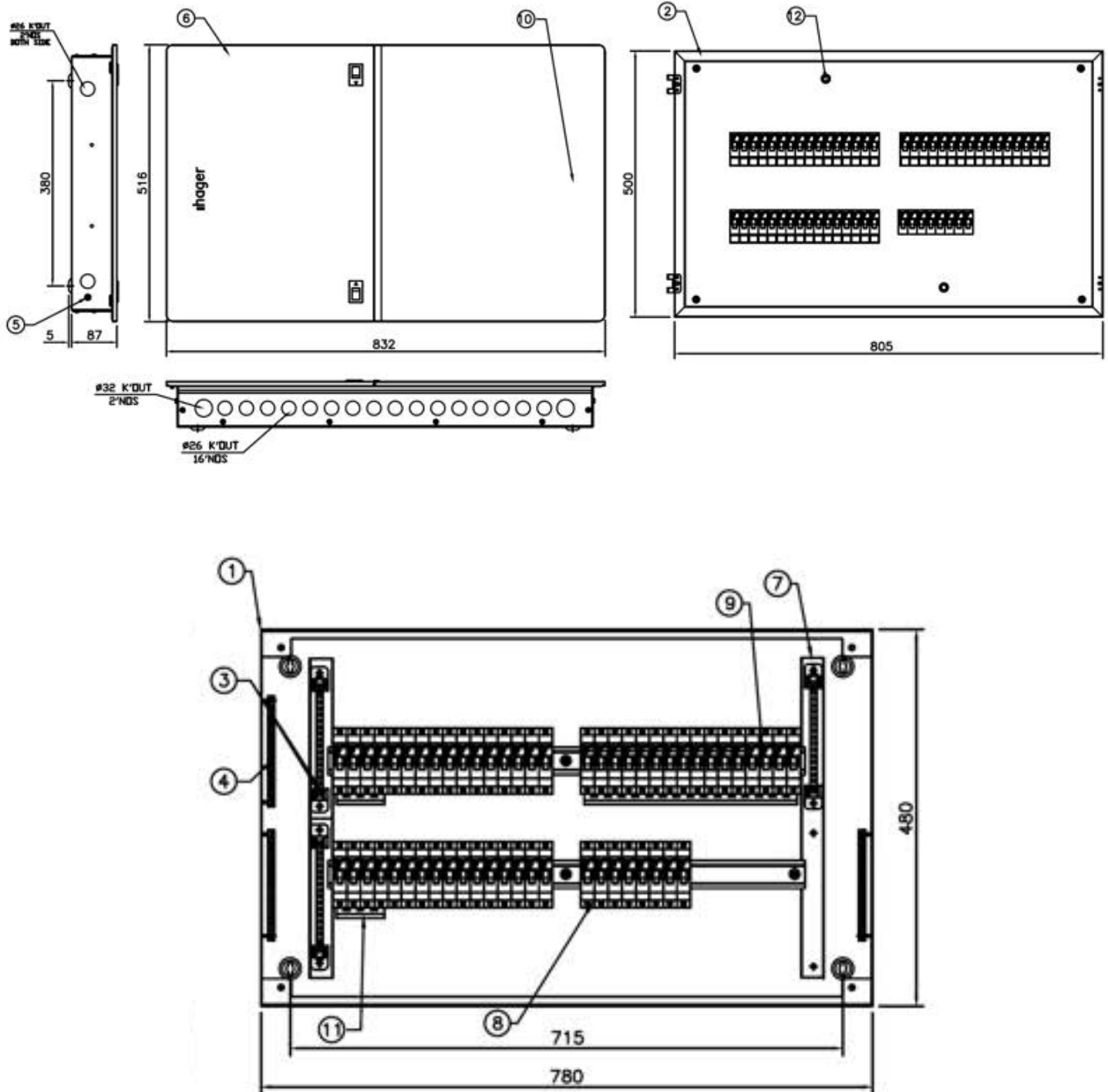


DB CODE	WAY	O/G	A	B	C	D	E'NOS	KNOB
VYS04DN	4	2	200	60	245	225	2NOS	1NO
VYS06DN	6	4	235	95	280	260	2NOS	1NO
VYS08DN	8	6	270	130	315	295	3NOS	1NO
VYS12DN	12	10	320	180	365	345	5NOS	2NOS
VYS16DN	16	14	390	250	435	415	6NOS	2NOS
VYS18DN	18	16	430	290	475	455	7NOS	2NOS



DB CODE	WAY	O/G	A	B	C	D	E'NOS	KNOB
VYT04DHN	4	12	360	295	405	385	6NOS	1NO
VYT06DHN	6	18	400	335	445	425	7NOS	1NO
VYT08DHN	8	24	465	400	510	490	8NOS	1NO
VYT12DHN	12	36	630	565	675	655	12NOS	2NOS

VYT16DH



Always near

North

Delhi & NCR
Haryana
Uttar Pradesh
Punjab
Jammu & Kashmir
Rajasthan

East

West Bengal
Orissa
Jharkhand
Assam

West

Maharashtra
Gujarat
Madhya Pradesh
Chattisgarh

South

Tamilnadu
Karnataka
Kerala
Telangana
Andhra Pradesh

Our network to serve you better

- 350+ Authorised Channel Partners
- 35+ System Integrators
- 25+ Service Centers



We are also there for you 24 hours: hager.co.in



Hager Electro Private Limited
Global Industrial Park,
G No 185,
Alandi – Ahmednagar Road, Phulgaon,
Pune 412216,

Corporate office:

Hager Electro Private Limited
WeWork Futura,
Magarpatta Road,
Hadapsar, Pune 411028, India,
Toll free number: 1800 103 5440
hagerwow@hager.co.in
hager.co.in

Branch office:

Mumbai Office:

WeWork Zenia Building,
4th Floor, Office No. 102,
Hiranandani Estate Road, Hiranandani Estate,
Thane West, Thane 400607

Delhi Office:

WeWork Berger Delhi One,
Sector 16 B, Noida,
Uttar Pradesh – 201301

Bengaluru Office:

Awfis Prestige DotCom,
16, 2, Residency Rd, Srinivas Nagar,
Shanthala Nagar, Ashok Nagar,