

new aptis+



Spacious
and smart

:hager

aptis+ Distribution Boards: Looks, features, technology- a perfect blend

Innovation is the key driver in our business, bringing clear differentiation in our products. Our solutions exceed the expectations of our customers given the product's ease-of-installation & ease-of-use.

**The new aptis+ enclosure is
primarily designed for
residential applications.**

aptis+, totally redesigned



A sophisticated design

The rounded door edge are just some of the signature features that make the new aptis+ enclosures so distinctive.



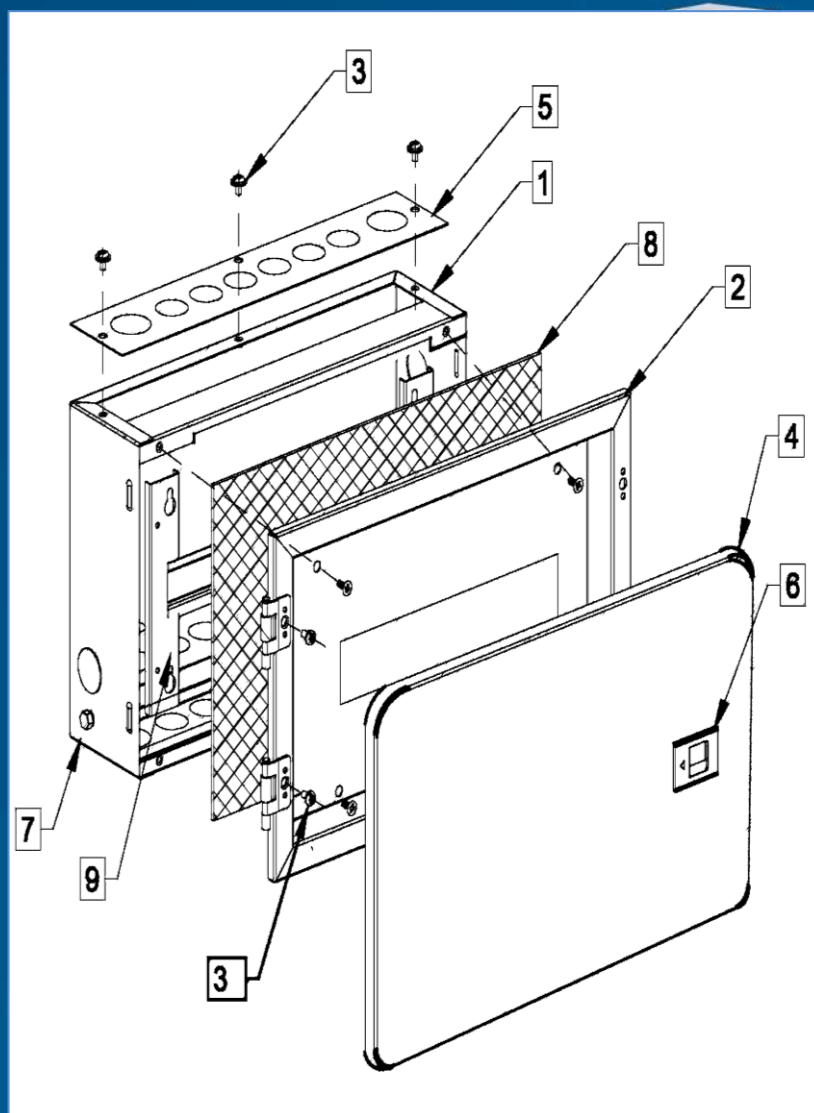
aptis+ your enclosure

We collaborated closely with end users to bring you this new version.

aptis+, a hub of innovation

Discover...

- 01** Quick, easy installation
- 02** Unrivalled accessibility
- 03** Easy wiring: tidier and safer
- 04** More features to make your day-to-day work easier
- 05** Reliable and safe: compliant standard IEC 61439-3
- 06** RAL9016, powder coated
Door opening angle -180°
Impact resistance – IK09



SPN distribution boards

- Metal DBs for single phase & neutral (SPN) supply distribution

Technical data

- Conforms to IS 61439
- No. of modules – 4, 6, 8, 12, 16, 18 way
- Mounting – Surface / flush mounting
- IP category
- IP30 for single door
- IP43/54 for double door
- Material – CRCA sheet steel
- RA L9016

Incoming & outgoing devices

- Incoming : Two pole MCBs / RCBOs / RCCB / Isolator
- Outgoing : SP MCBs

Features & benefits:

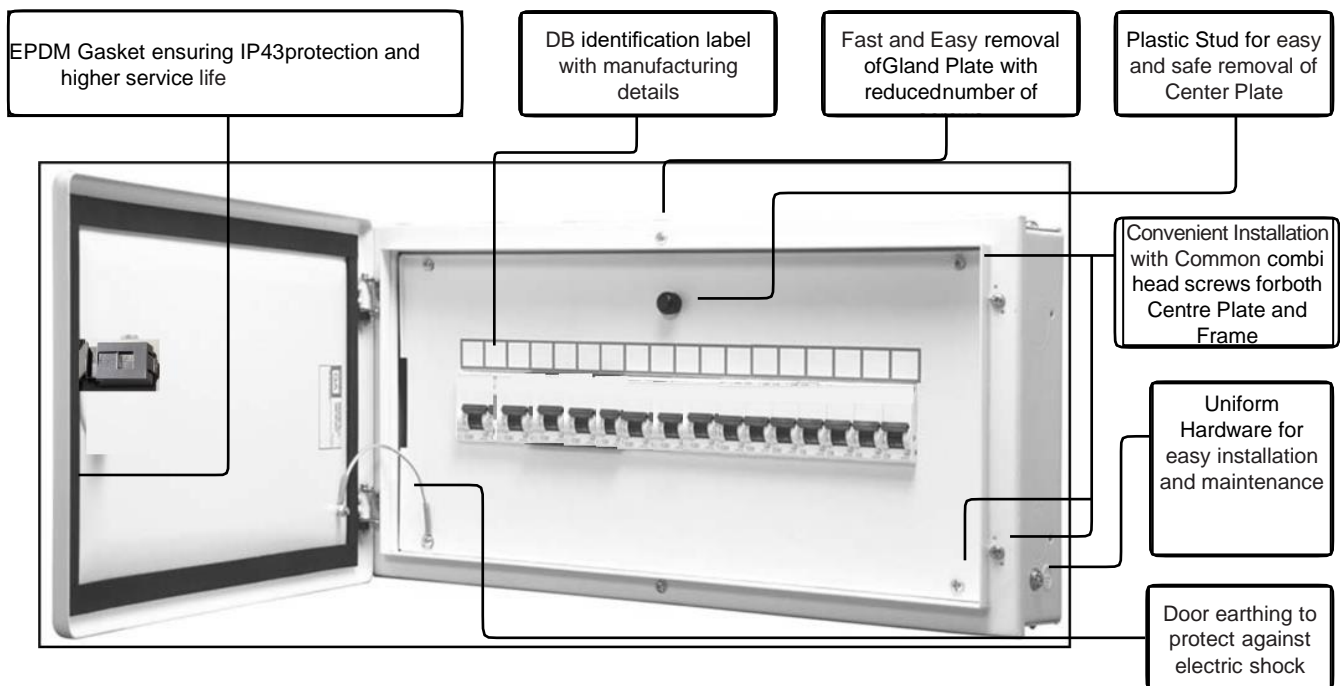
- Reversible door with earthing and removable front plate
- IP2X Neutral terminal
- Cement spill protection
- Combihead screws for easy removal
- Anti wall insertion marking
- 100A tin plated insulated copper bus-bar
- 180° door opening
- Choice of plain and acrylic door
- Separate packing for door, frame and shield
- Blanking plates and circuit identification labels
- Cable management system

10 x 25 + 34 x 4 mm²



| Market Reference | Description | MRP (₹) |
|------------------|-------------------------|---------|
| VYS04DN | SPN 4 way, IP43, DB | 1931 |
| VYS06DN | SPN 6 way, IP43, DB | 2228 |
| VYS08DN | SPN 8 way, IP43, DB | 2406 |
| VYS12DN | SPN 12 way, IP43, DD DB | 2781 |
| VYS16DN | SPN 16 way, IP43, DD DB | 3597 |
| VYS18DN | SPN 18 way, IP43, DD DB | 3719 |

~
a
r
t
h
t



e
r
m
i
n
a
l
s
:

- Metal DBs for single phase & neutral (SPN) supply distribution

Technical data

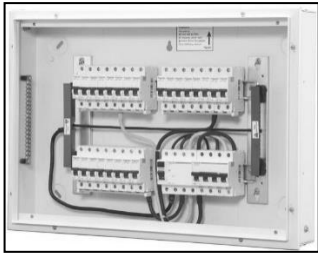
- Conforms to IS 61439
- No. of modules – 4, 6, 8, 12, 16, 18 way
- Mounting – Surface / flush mounting
- IP category
- IP30 for single door
- IP43/54 for double door
- Material – CRCA sheet steel
- RA L9016

Features & benefits:

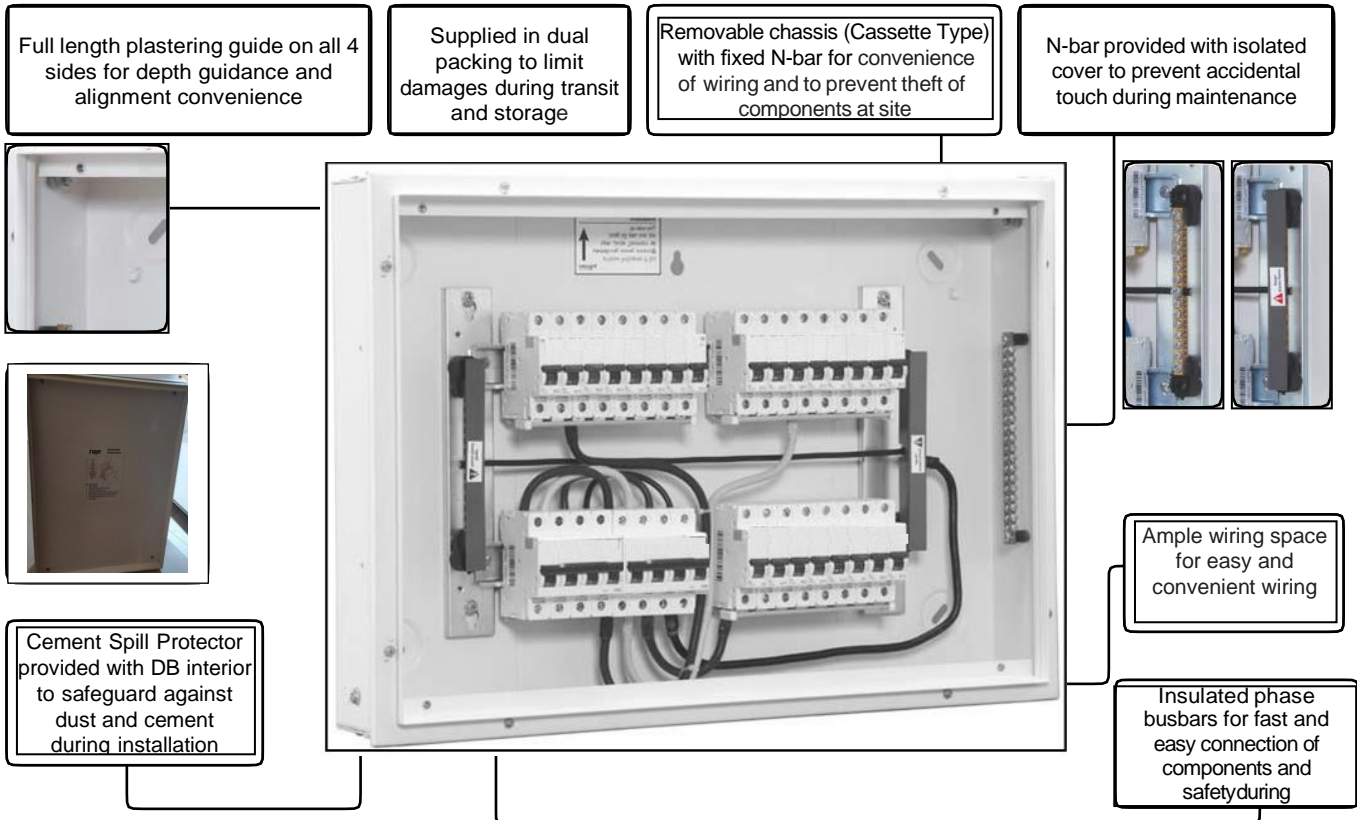
- Reversible door with earthing and removable front plate
- IP2X Neutral terminal
- Cement spill protection
- Combihead screws for easy removal
- Anti wall insertion marking
- 100A tin plated insulated copper bus-bar
- 180° door opening
- Choice of plain and acrylic door
- Separate packing for door, frame and shield
- Blanking plates and circuit identification labels
- Cable management system

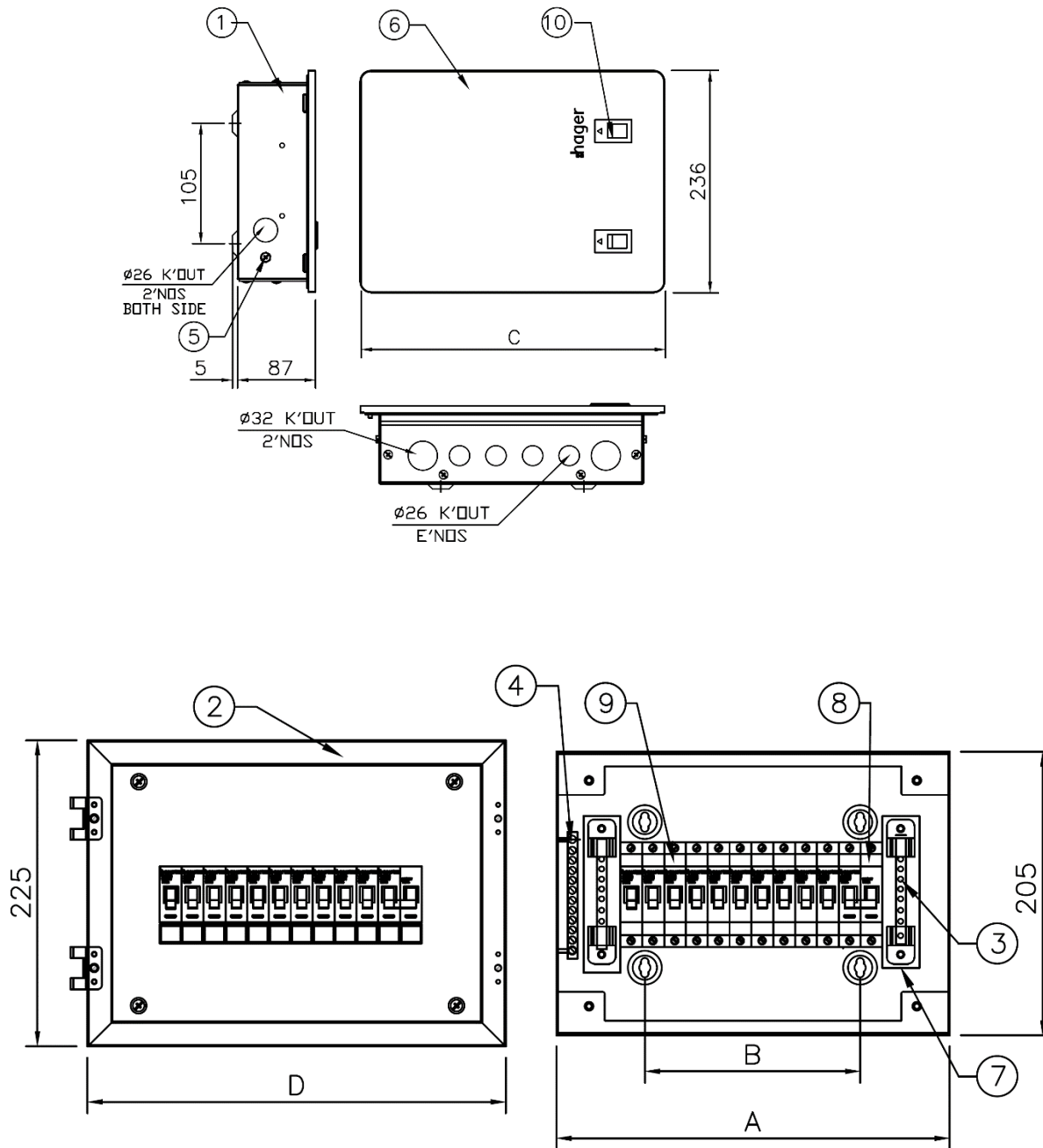
Incoming & outgoing devices

- Incoming : Two pole MCBs / RCBOs / RCCB / Isolator
- Outgoing : SP MCBs

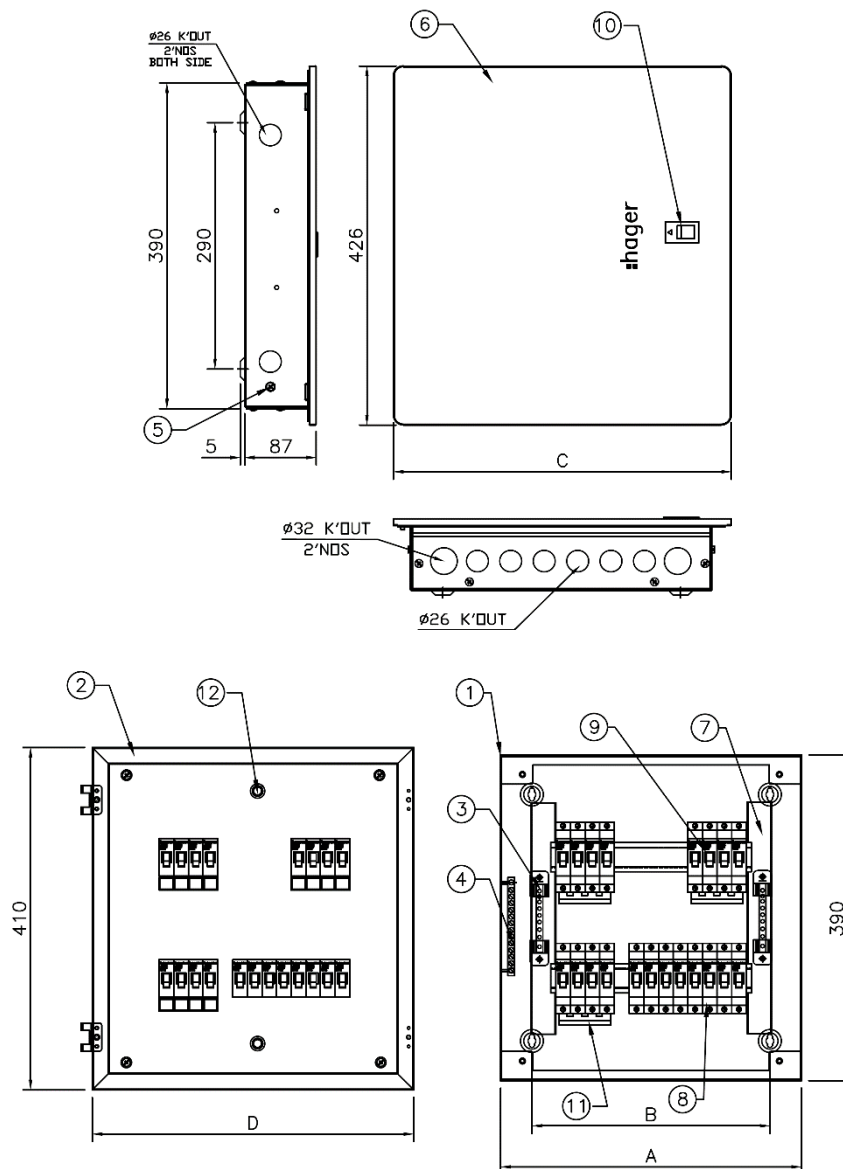


| Market Reference | Description | MRP (₹) |
|------------------|----------------------------|---------|
| VYT04DHN | TPN, mid, 4 way, IP43, DB | 4738 |
| VYT06DHN | TPN, mid, 6 way, IP43, DB | 5903 |
| VYT08DHN | TPN, mid, 8 way, IP43, DB | 7084 |
| VYT12DHN | TPN, mid, 12 way, IP43, DB | 10900 |
| VYT16DHN | TPN, mid, 16 way, IP43, DB | 13669 |
| VYT04DHN | TPN, mid, 4 way, IP43, DB | 4738 |



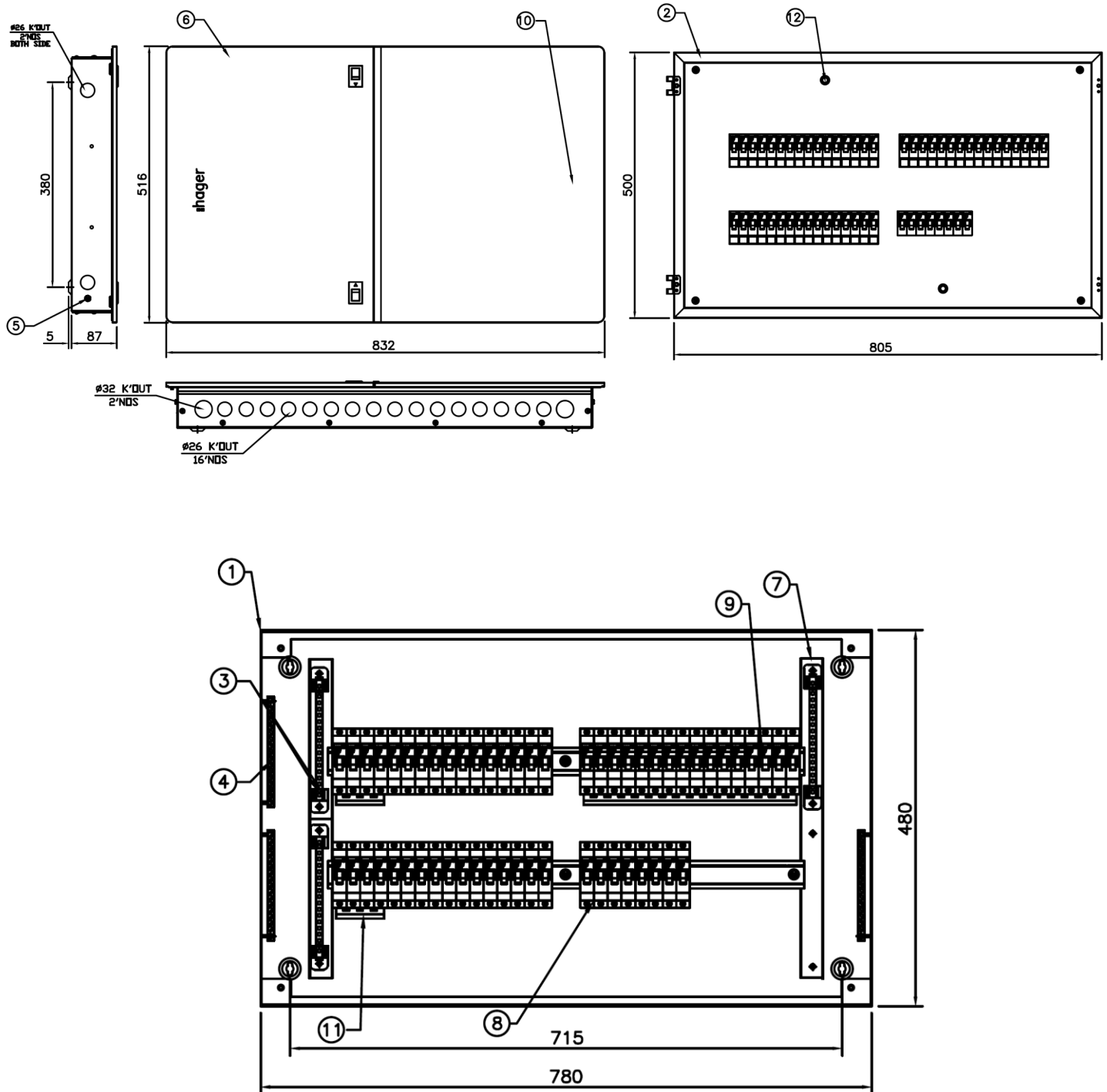


| DB CODE | WAY | O/G | A | B | C | D | E'NOS | KNOB |
|---------|-----|-----|-----|-----|-----|-----|-------|------|
| VYS04DN | 4 | 2 | 200 | 60 | 245 | 225 | 2NOS | 1NO |
| VYS06DN | 6 | 4 | 235 | 95 | 280 | 260 | 2NOS | 1NO |
| VYS08DN | 8 | 6 | 270 | 130 | 315 | 295 | 3NOS | 1NO |
| VYS12DN | 12 | 10 | 320 | 180 | 365 | 345 | 5NOS | 2NOS |
| VYS16DN | 16 | 14 | 390 | 250 | 435 | 415 | 6NOS | 2NOS |
| VYS18DN | 18 | 16 | 430 | 290 | 475 | 455 | 7NOS | 2NOS |



| DB CODE | WAY | O/G | A | B | C | D | E'NOS | KNOB |
|----------|-----|-----|-----|-----|-----|-----|-------|------|
| VYT04DHN | 4 | 12 | 360 | 295 | 405 | 385 | 6NOS | 1NO |
| VYT06DHN | 6 | 18 | 400 | 335 | 445 | 425 | 7NOS | 1NO |
| VYT08DHN | 8 | 24 | 465 | 400 | 510 | 490 | 8NOS | 1NO |
| VYT12DHN | 12 | 36 | 630 | 565 | 675 | 655 | 12NOS | 2NOS |

VYT16DH



Always near

North

Delhi & NCR
Haryana
Uttar Pradesh
Punjab
Jammu & Kashmir
Rajasthan

East

West Bengal
Orissa
Jharkhand
Assam

West

Maharashtra
Gujarat
Madhya Pradesh
Chattisgarh

South

Tamilnadu
Karnataka
Kerala
Telangana
Andhra Pradesh

Our network to serve you better

- 350+ Authorised Channel Partners
- 35+ System Integrators
- 25+ Service Centers



We are also there for you 24 hours: hager.co.in



Hager Electro Private Limited
Global Industrial Park,
G No 185,
Alandi – Ahmednagar Road, Phulgaon,
Pune 412216,

Corporate office:

Hager Electro Private Limited
WeWork Futura,
Magarpatta Road,
Hadapsar, Pune 411028, India,
Toll free number: 1800 103 5440
hagerwow@hager.co.in
hager.co.in

Branch office:

Mumbai Office:

WeWork Zenia Building,
4th Floor, Office No. 102,
Hiranandani Estate Road, Hiranandani Estate,
Thane West, Thane 400607

Delhi Office:

WeWork Berger Delhi One,
Sector 16 B, Noida,
Uttar Pradesh – 201301

Bengaluru Office:

Awfis Prestige DotCom,
16, 2, Residency Rd, Srinivas Nagar,
Shanthala Nagar, Ashok Nagar,