

V-GUARD 



THE ELEGANT SWIRL OF LUXURY  
**INSIGHT-G**

PREMIUM HIGH SPEED BLDC FAN

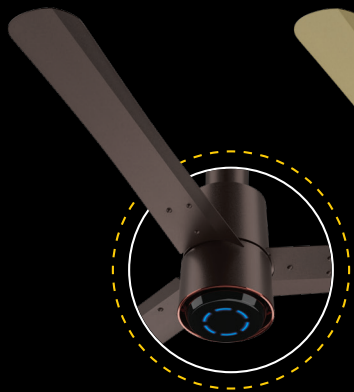


## INSIGHT-G

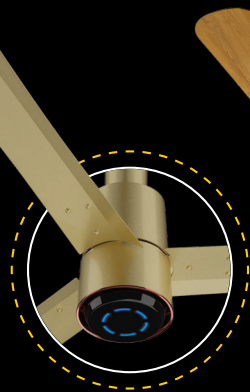
PREMIUM HIGH SPEED BLDC FAN

Experience the epitome of design and performance. Presenting a masterpiece that redefines the boundaries of style and functionality. Here's Insight-G, the smart and slim fan from the house of V-Guard. From its awe-inspiring aesthetics to its superior airflow, every detail has been meticulously designed to leave you breathless as it takes the center stage of your home. By consuming a mere 35 watts of energy, this exceptional fan helps you achieve remarkable savings of up to Rs. 1518/- on your annual electricity bills. Manufactured at the state-of-the-art V-Guard facility at Roorkee, Uttarakhand, this fan boasts excellent features to elevate your comfort; 370 RPM speed, effective dust repellent coating technology, remote control with timer options and lot more! But that's not all! It comes to you in 12 vibrant colors along with a 5-year warranty too! Prepare to be amazed as you bring home the slim and smart marvel, Insight-G. Experience a realm of style, unbeatable performance, and incredible savings that will transform your living space.

## VIBRANT COLORS TAILORED TO YOUR STYLE



ELEGANCE  
BROWN MATTE



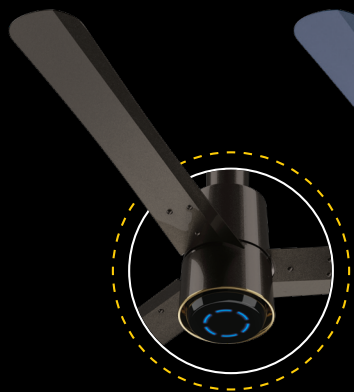
IMPERIAL  
GOLD



CHOCO  
GOLD WOOD



BLOSSOM  
WHITE MATTE



CHOCO  
BROWN GLO



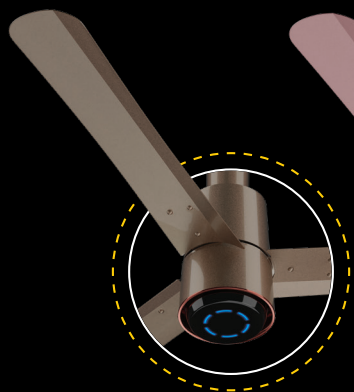
RIBAND  
BLUE MATTE



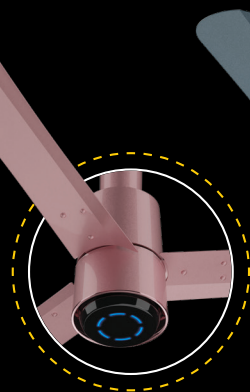
EMERALD  
GREEN



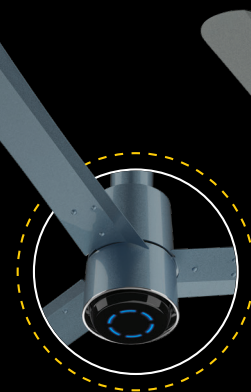
NOBLE  
IVORY



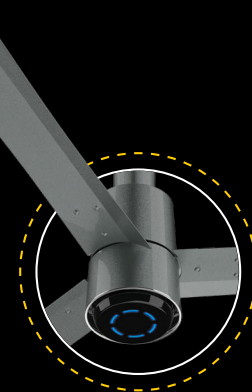
CARAMEL  
BROWN



ROSE  
GLOW



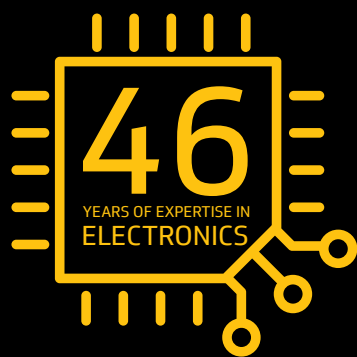
ALPS  
BLUE



TITANIUM  
CHROME

MODEL NAME	SWEEP	RATED POWER	RATED SPEED	RATED AIR DELIVERY	SERVICE VALUE
INSIGHT-G	1.2 m (1200 mm)	35 W	370 RPM	235 m <sup>3</sup> /min	6.7





## THE LEGACY OF 46 YEARS

With a legacy of 46 years in electronics, V-Guard has continuously evolved and adapted to advancements in technology and industry standards. Our experience has fostered a deep understanding of electronic principles, design methodologies, and manufacturing processes, enabling us to develop PCBA boards that surpass expectations. From component selection to assembly and testing, our PCBAs undergo rigorous quality checks to meet the highest industry standards. We employ advanced testing equipment and methodologies to assess the performance, durability, and safety, guaranteeing their reliability.



### Slim design. Smart savings.

Elegantly crafted to complement your interiors, this 5-star rated slim marvel not just adds grace to your space, but also helps you save up to Rs. 1518/- on your annual electricity bills, while delivering outstanding performance.



### 5 years of assurance

A testament to its high-quality, Insight-G comes to you with a 5-year warranty. Get this marvel home and enjoy the stylishly elegant breeze.



### Enjoy consistent performance, no matter the voltage

Equipped with a wider voltage range of 60 to 310 V, Insight-G ensures reliable performance. Say goodbye to voltage fluctuations affecting your fan speed. Embrace uninterrupted airflow with Insight-G, the fan that conquers voltage fluctuations effortlessly.



### Get rid off the hassle of dusting\*

Bid farewell to the hassle of dust accumulation on this beauty with the remarkable dust repellent coating. Designed to perfection, Insight-G attracts less dust and prevents dust from sticking to the fan blades and surfaces. With a swift wipe, you will see the fan sparkling with all its beauty.



### Comfort just a touch away!

Insight-G comes with a remote control so that you can effortlessly adjust the fan's speed and other settings from the comfort of your seat. No more hassles of getting up to make adjustments – experience seamless control right at your fingertips.



### Set & relax

Embrace the luxury of personalized cooling with Insight-G's multiple timer options; 2 hours, 4 hours, and 8 hours. Effortlessly schedule the fan to automatically turn off after a specific period, bringing you ultimate convenience and peace of mind. Whether you desire a quick burst of cooling or an extended cooling session, it's multiple timer options cater to your unique needs and preferences.

#Actual saving depends upon the usage & cost of electricity.

\* Easy-to-clean coating with less affinity to dust adhesion compared to regular fans under ideal test condition.



## Choose the perfect mode for your mood

Insight-G comes to you with a multiple modes of operation; Boost mode, Breeze mode, Sleep mode, Standard mode and Custom mode to suit your convenience. Whether you desire a gentle breeze or a soothing sleep environment, this superhero has got you covered. With dedicated wind modes, you can seamlessly customize your airflow to suit your preferences and enjoy a blissful experience.

# MODES



### Boost Mode:

To boost up fan speed level to maximum RPM.



### Breeze Mode:

Breeze mode provides you a gentle sea breeze wind experience. Additionally, there are three sub modes in breeze modes to entice you with the alluring feeling of relaxing at a beach front, light breeze, medium breeze & strong breeze modes.



### Sleep Modes:

Experience calm and comfortable sleep with sleep mode. It consists of two different options.



### Standard Sleep Mode:

In standard sleep mode, fan speed level gradually decreases from the current level to two levels below within 8 hours automatically.



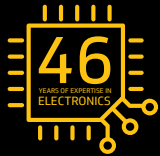
### Custom Sleep Mode:

Custom sleep mode provides a calm & quiet sleeping experience. It automatically adjusts the fan speed to desired low level in within 8 hours.



### Reverse the breeze, embrace the warmth

Reverse flow mode is ideal for the winter season when you rely on a room heater to create a cozy ambience, this intelligent feature takes your comfort to new heights. As the fan gracefully rotates in the opposite direction, a gentle upward suction ensues, ensuring the heated air circulates evenly throughout the room.



### Engineered for performance, built to last

Insight-G boasts of a proven reliable PCBA design that comes from a brand that has a rich legacy of 46 years of expertise in electronics. Equipped with a 2 stage surge protection, Insight-G offers an extra layer of protection against voltage fluctuations.



### When technology meets comfort

Designed with your convenience in mind, Insight-G ensures effective user communication. Stay effortlessly connected to ultimate comfort as you command the perfect breeze tailored to your desires.



### Galore of colors

Available in 12 stunning colors, you can choose the perfect match for your style and decor.



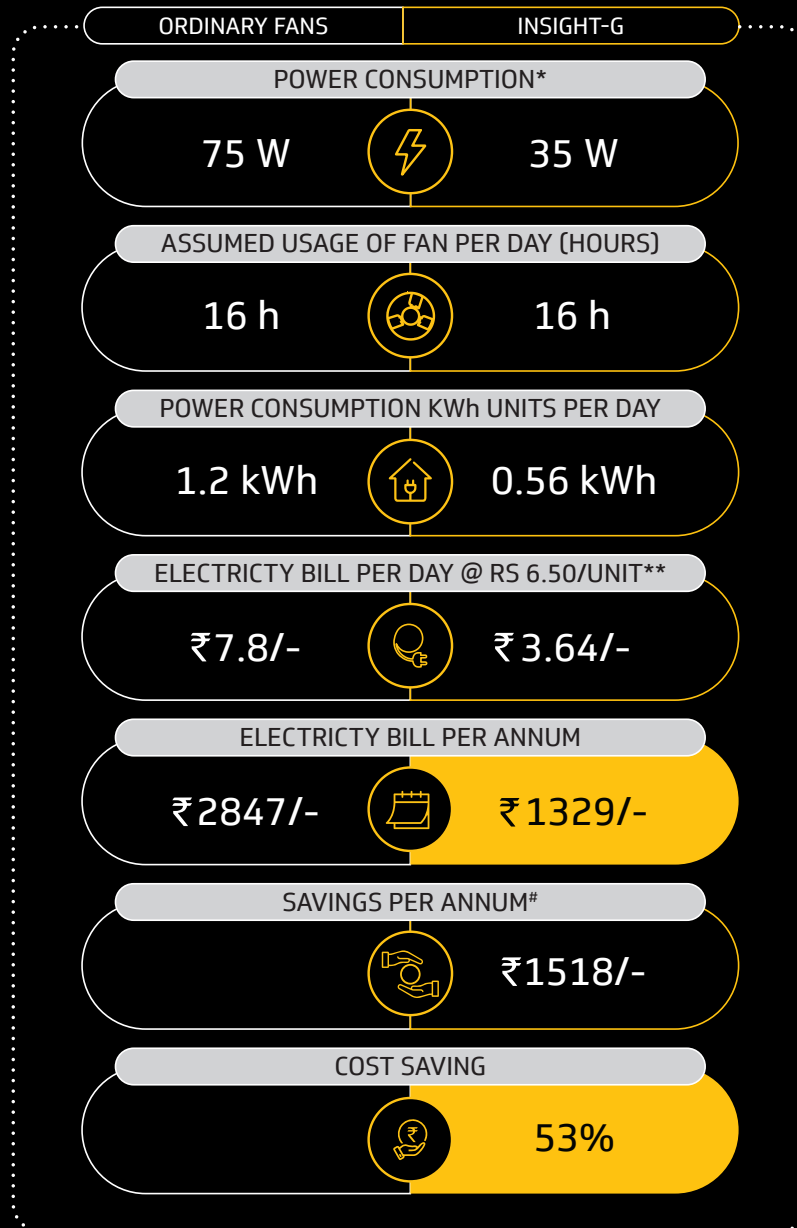
### UI LED

Experience unmatched convenience as LED indication effortlessly, making every interaction intuitive and seamless.





## INSIGHT-G COST SAVING GUIDE



\* At 230V, 50Hz. wattage may vary ± 5%.

\*\* May vary from state to state.

# Actual saving depends upon the usage & cost of electricity.



V-GUARD

ELEGANCE BROWN MATTE

10





# INSIGHT-G

PREMIUM HIGH SPEED BLDC FAN



5-YEAR  
WARRANTY



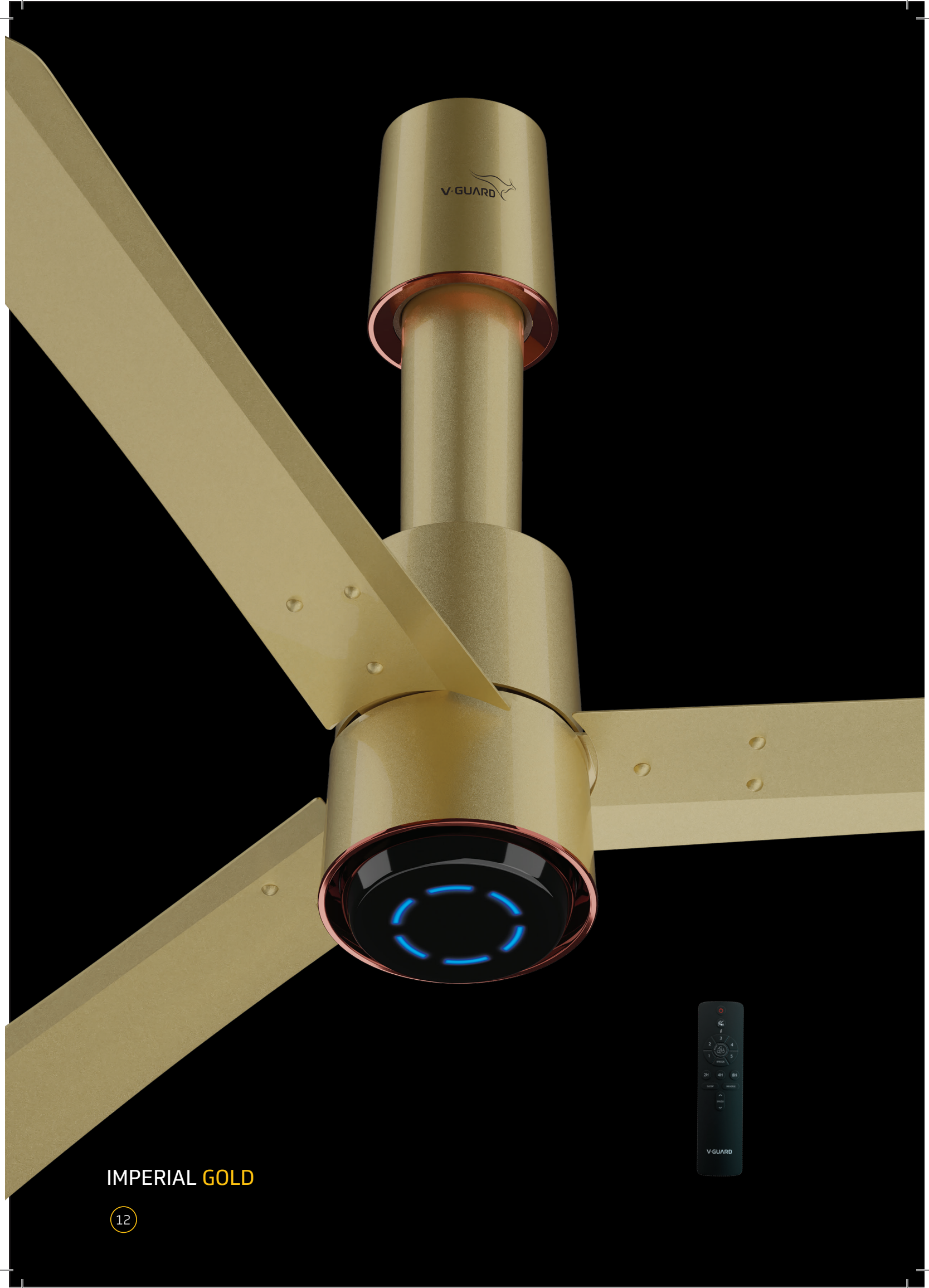
HIGH SPEED  
370 RPM



SAVES UP TO  
₹1518/- PER  
YEAR\*



\*Actual saving depends upon the usage & cost of electricity.



V-GUARD

IMPERIAL GOLD

12





# INSIGHT-G

PREMIUM HIGH SPEED BLDC FAN



5-YEAR  
WARRANTY



HIGH SPEED  
370 RPM



EFFECTIVE  
DUST REPELLENT  
COATING  
TECHNOLOGY\*



\*Easy-to-clean coating with less affinity to dust adhesion compared to regular fans under ideal test condition.



V-GUARD

CHOCO GOLD WOOD





# INSIGHT-G

PREMIUM HIGH SPEED BLDC FAN



5-YEAR  
WARRANTY



HIGH SPEED  
370 RPM



60V - 310V

WIDER WORKING  
VOLTAGE RANGE  
OF 60V - 310V





V-GUARD

BLOSSOM WHITE MATTE







# INSIGHT-G

PREMIUM HIGH SPEED BLDC FAN



5-YEAR  
WARRANTY



HIGH SPEED  
370 RPM



4-MODE WIND  
SELECTION





V-GUARD

CHOCO BROWN GLO

18





# INSIGHT-G

PREMIUM HIGH SPEED BLDC FAN



5-YEAR  
WARRANTY



HIGH SPEED  
370 RPM



12 UNIQUE &  
VIBRANT COLOURS





V-GUARD

RIBAND BLUE MATTE





# INSIGHT-G

PREMIUM HIGH SPEED BLDC FAN



5-YEAR  
WARRANTY



HIGH SPEED  
370 RPM



SAVES UP TO  
₹1518/- PER  
YEAR\*



\*Actual saving depends upon the usage & cost of electricity.



V-GUARD

EMERALD GREEN





# INSIGHT-G

PREMIUM HIGH SPEED BLDC FAN



5-YEAR  
WARRANTY

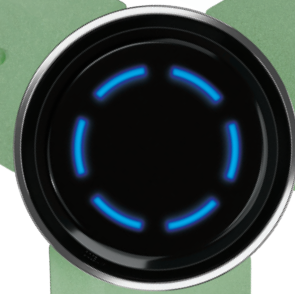


HIGH SPEED  
370 RPM



60V - 310V

WIDER WORKING  
VOLTAGE RANGE  
OF 60V - 310V





V-GUARD

NOBLE **IVORY**







# INSIGHT-G

PREMIUM HIGH SPEED BLDC FAN



5-YEAR  
WARRANTY

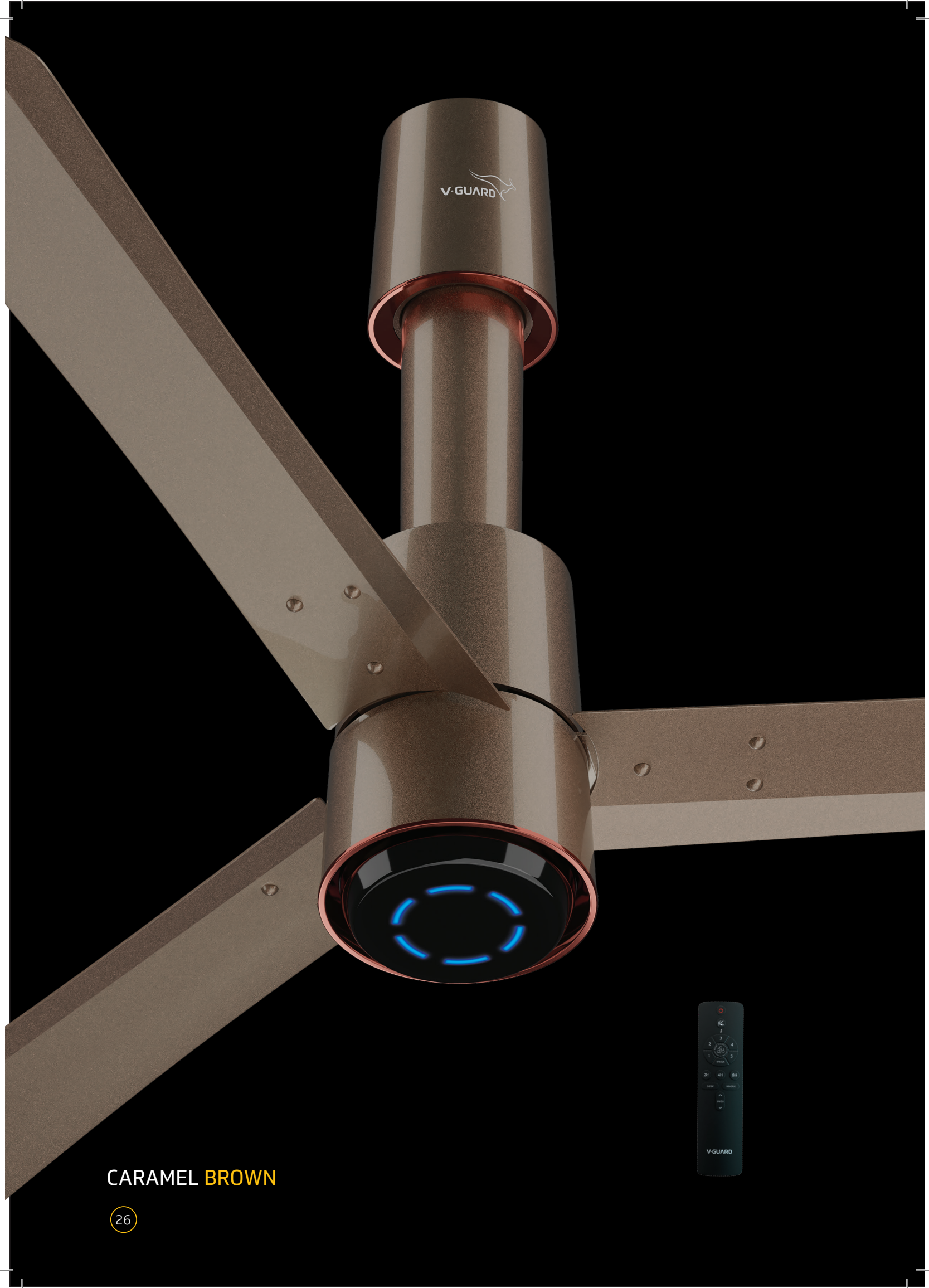


HIGH SPEED  
370 RPM



4-MODE WIND  
SELECTION





V-GUARD

CARMEL BROWN





# INSIGHT-G

PREMIUM HIGH SPEED BLDC FAN



5-YEAR  
WARRANTY



HIGH SPEED  
370 RPM



12 UNIQUE &  
VIBRANT COLOURS





V-GUARD

ROSE GLOW

28





# INSIGHT-G

PREMIUM HIGH SPEED BLDC FAN



5-YEAR  
WARRANTY



HIGH SPEED  
370 RPM



EFFECTIVE  
DUST REPELLENT  
COATING  
TECHNOLOGY\*



\*Easy-to-clean coating with less affinity to dust adhesion compared to regular fans under ideal test condition.



V-GUARD

ALPS BLUE

30



V-GUARD



# INSIGHT-G

PREMIUM HIGH SPEED BLDC FAN



5-YEAR  
WARRANTY



HIGH SPEED  
370 RPM



60V - 310V

WIDER WORKING  
VOLTAGE RANGE  
OF 60V - 310V





V-GUARD

TITANIUM CHROME







# INSIGHT-G

PREMIUM HIGH SPEED BLDC FAN



5-YEAR  
WARRANTY



HIGH SPEED  
370 RPM



4-MODE WIND  
SELECTION



- \* All performance parameters are checked under standard test conditions at 230 V, 50 Hz Ac.
- \* Colours and specifications are subject to change without prior notice.
- \* Colours shown may not match the actual colours due to printing limitations.
- \* Easy to clean coating with less affinity to dust adhesion compared to regular fans under ideal test condition.

**V-Guard Industries Ltd.,**

Registered Office: 42/962, Vennala High School Road, Vennala, Kochi - 682 028, Kerala.  
Ph: 0484-2005000, 4335000 email: [customer-care@vguard.in](mailto:customer-care@vguard.in) | [www.vguard.in](http://www.vguard.in)



V-Guard Care  
0120-4850100  
1860 180 3000  
[customer-care@vguard.in](mailto:customer-care@vguard.in)  
© 9633503333

[www.vguard.in/home/customer-care](http://www.vguard.in/home/customer-care)  
CIN: L31200KL1996PLC010010

